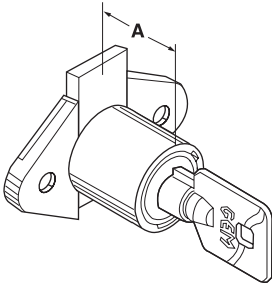
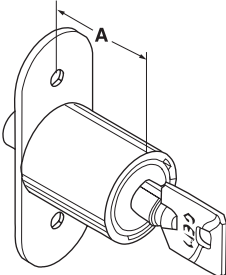
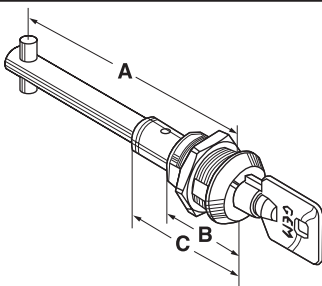
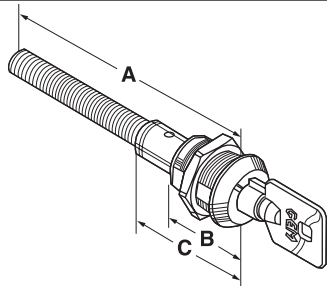


High Security Tubular Key Locks

GEM 1000 Series Locks

7 Pin Tumbler



Illustration	Number	Description	Box Qty.
Wood Drawer Lock - Chrome Finish		KD, KA 27379, 27380	
	DR 1008	3/8" Bolt Throw Key Pulls at 12:00 & 6:00 180° Key Turn to Open 'A' Dimension 7/8"	25
Sliding Door Lock - Chrome Finish		KD, KA 27379, 27380	
	SD 1990	Plunger Action Wood Door Lock 15/32" Bolt Throw 90° Key Turn - Plunger Slides Out To Lock 'A' Dimension, 1-1/32" Key Pull at 12:00 only in unlocked position (3:00) Turn key back to 12:00 to remove key, then push plug in to lock	25
Plain Shaft Lock with Bayonette Locking - Nickel		KD, KA 27379, 27380, 27381, 27382, 27383	
	PS 1058 AD (NON-STOCK)	'A' Dimension, 8" 'B' Dimension, 5/8" 'C' Dimension, 1-1/2" 90° Key Turn Key Pulls at 12:00 & 3:00	
Threaded Shaft Lock - Nickel Finish		KD, KA 27379, 27380, 27381	
	TS 1058BD	'A' Dimension, 8", 'B' Dimension, 5/8", 'C' Dimension, 1-1/2" 2 Key Pulls at 12 and 6	10
	TS 1058U	'A' Dimension, 8", 'B' Dimension, 5/8", 'C' Dimension, 1-1/2" 4 Key Pulls at 12, 3, 6 and 9	10

All part numbers shown in blue are available through the STOCK LOCKS program.